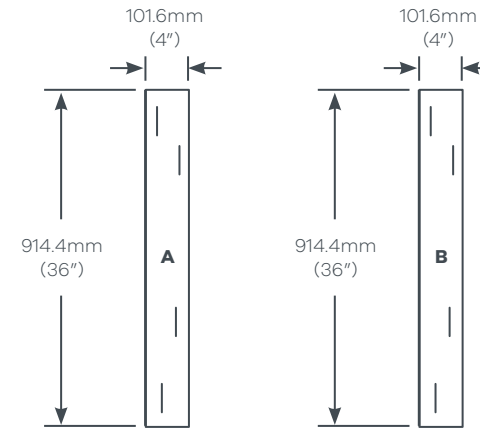
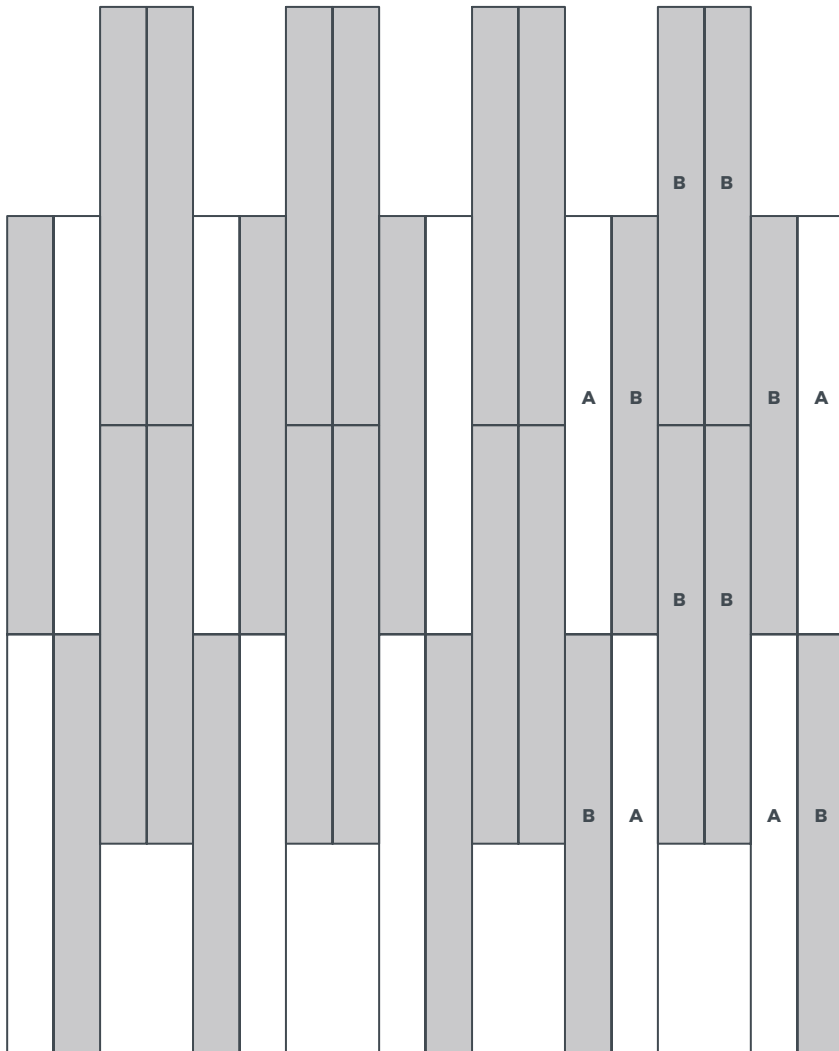


Couplet Laying Pattern



Ratio for installation

A = 25%

B = 75%