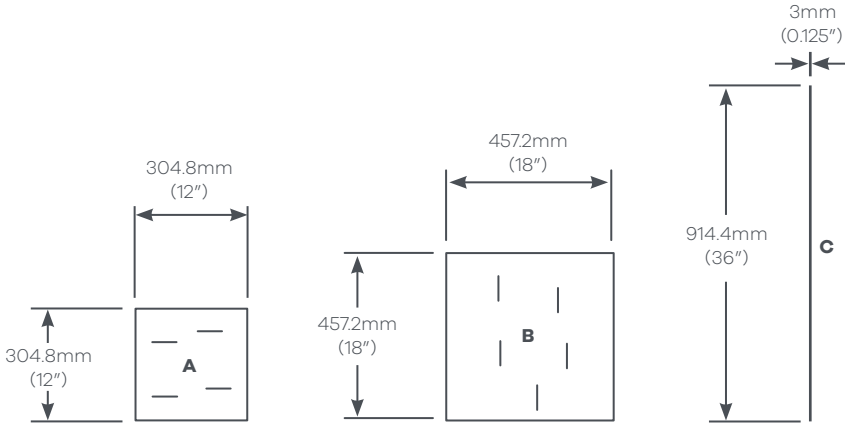
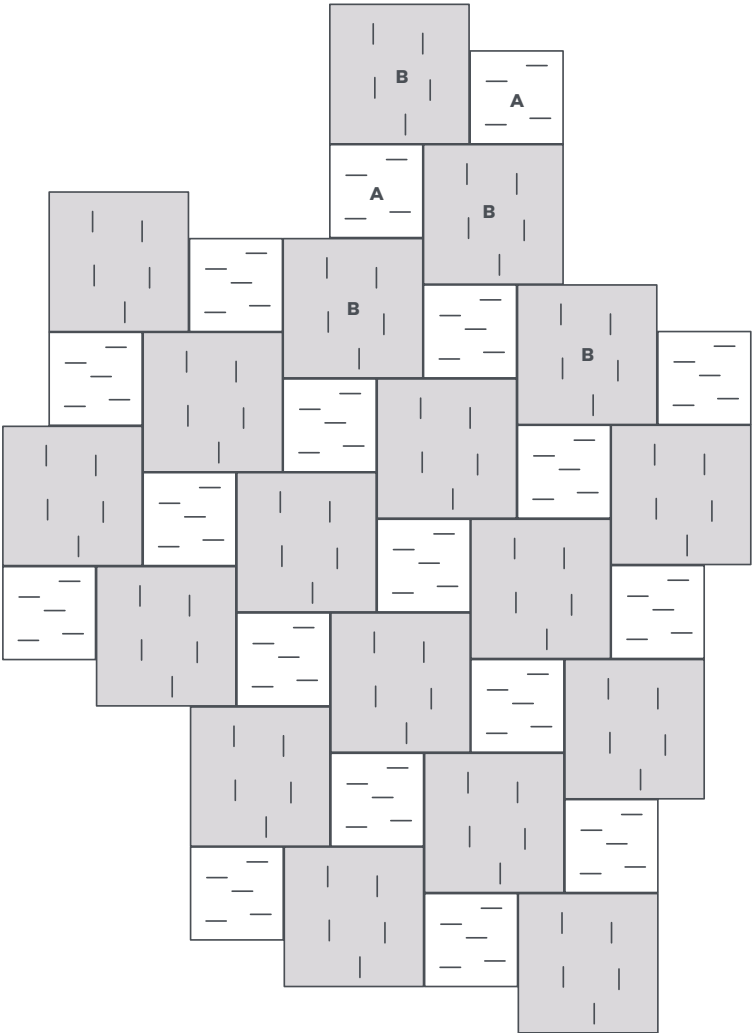


Product Installation Sheet
Spacia Laying Pattern

Field Stone



Ratio for installation
A = 30%
B = 70%